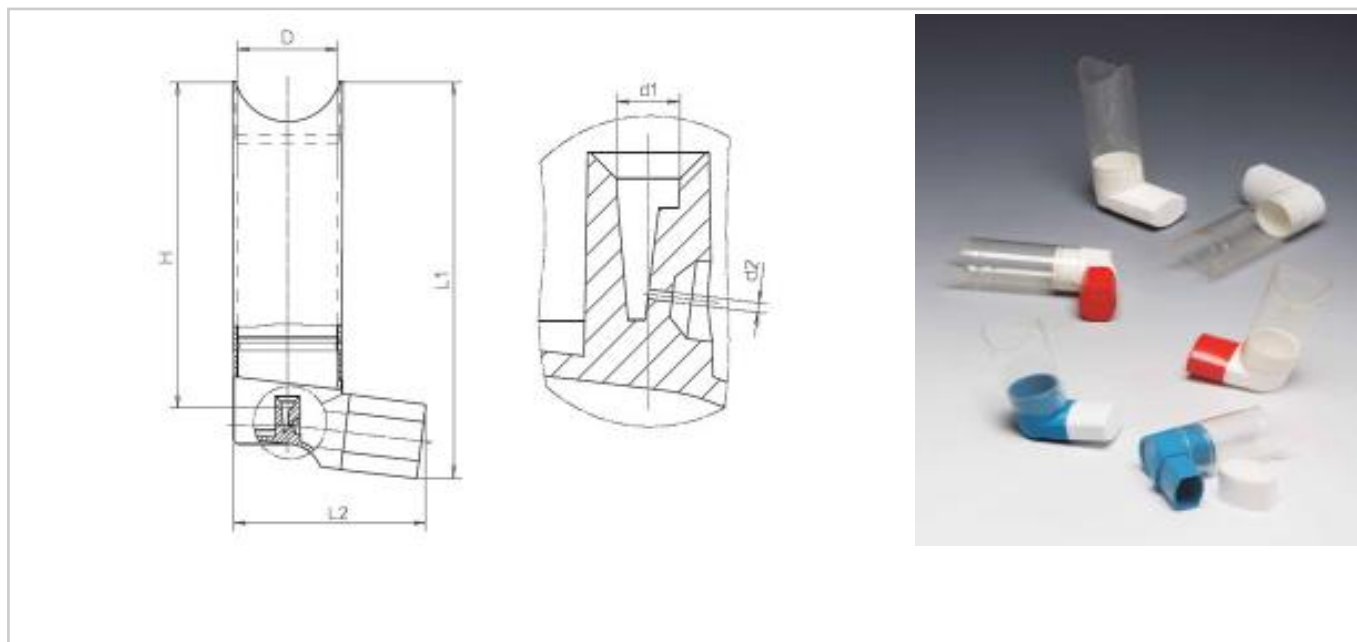


M.D.I. ACTUATORS WITH TRASPARENT BODY



rif	Description	Code	D	d1	d2	H	l1	l2
A1	14 ml canister - Actuator with transparent body 53-2,91	213530102XX	25	2,91	0,47	61,0	75	47,6
A2	14 ml canister - Actuator with transparent body 53-2,63	213530202XX	25	2,63	0,47	61,0	75	47,6
A3	14 ml canister - Actuator with transparent body 53-3,13	213530302XX	25	3,13	0,47	61,0	75	47,6
A4	14 ml canister - Actuator with transparent body 53-2,74	213530402XX	25	2,74	0,47	61,0	75	47,6
A5	14 ml canister - Actuator with transparent body 53-2,91 for valve d. 3,16	at pilot stage (*)	25	3,12	0,47 x 1,2mm	61,0	75	47,6
A6	14 ml canister - Actuator with transparent body 53-2,91 for valve d. 3,16	DC1135 (*) (+)	25	3,12	0,32 x 0,6mm	61,0	75	47,6
B1	19 ml canister - Actuator with transparent	213650102XX	25	2,91	0,47	71,0	87	47,6

rif	Description	Code	D	d1	d2	H	l1	l2
	body 65-2,91							
B3	19 ml canister - Actuator with transparent body 65-3,13	213650302XX	25	3,13	0,47	71,0	87	47,6
B2	19 ml canister - Actuator with transparent body 65-2,63	213650202XX	25	2,63	0,47	71,0	87	47,6
B4	19 ml canister - Actuator with transparent body 65-2,74	213650402XX	25	2,74	0,47	71,0	87	47,6
B5	19 ml canister - Actuator with transparent body 65-3,12 for valve d. 3,16	at pilot stage (*)	25	3,12	0,47 x 1,2mm	71,0	87	47,6
B6	19 ml canister - Actuator with transparent body 65-3,12 for valve d. 3,16	DC1135 (*) (+)	25	3,12	0,32 x 0,6mm	71	87	47,6
C1	22 ml canister - Actuator with transparent body 76-2,91	213760102XX	25	2,91	0,47	82	97,5	47,6
C2	22 ml canister - Actuator with transparent body 76-2,63	213760202XX	25	2,63	0,47	82	97,5	47,6
C3	22 ml canister - Actuator with transparent body 76-3,13	213760302XX	25	3,13	0,47	82	97,5	47,6
C4	22 ml canister - Actuator with transparent body 76-2,74	213760402XX	25	2,74	0,47	82	97,5	47,6
C5	22 ml canister - Actuator with transparent body 76-3,12 for valve d. 3,16	at pilot stage (*)	25	3,12	0,47 x 1,2mm	82	97,5	47,6
C6	22 ml canister - Actuator with transparent body 76-3,12 - for valve d. 3,16	DC1135 (*) (+)	25	3,12	0,32 x 0,6mm	82	97,5	47,6

